



16th Annual

2026

**BOAT DESIGN
COMPETITION**

TABLE OF CONTENTS

WELCOME	3
SCENARIO	4
RACE COURSES.....	5
2024 CHAMPS	6
SCHEDULE OF EVENTS.....	7
FINALISTS.....	8-9



WELCOME

Welcome to our 16th annual Boat Design Competition!

The competition is designed and hosted by The Apprentice School student section of the Society of Naval Architects and Marine Engineers (SNAME), a student club of The Apprentice School of Newport News Shipbuilding in Newport News, Virginia.



**NEWPORT NEWS
SHIPBUILDING**
A DIVISION OF HII



Each fall, the club issues a set of design guidelines to high school students. Teams are formed and submit their designs in January. Their designs consist of a design history notebook chronicling their design journey, a set of engineered drawings, and a packet of naval architecture calculations. The designs are judged and four finalists are chosen and built by shipyard apprentices. Finally, the four finalists race their boats in spring. Today's race culminates in the many hours dedicated to this competition by the high school students, the shipyard employees building the designs, and the club volunteers designing and hosting the competition.

This competition is an excellent outreach program in Science, Technology, Engineering, and Math (STEM) for high school students. For our apprentices, it is a year-long commitment in leadership, organization, and teamwork. More information can be found at the competition at <https://communities.sname.org/designcompetition>.

Thank you for your participation and interest in our passion project. Enjoy!



SCENARIO

Each year the students are given a new design scenario themed to a particular type of watercraft. This introduces new challenges for each year's participants.

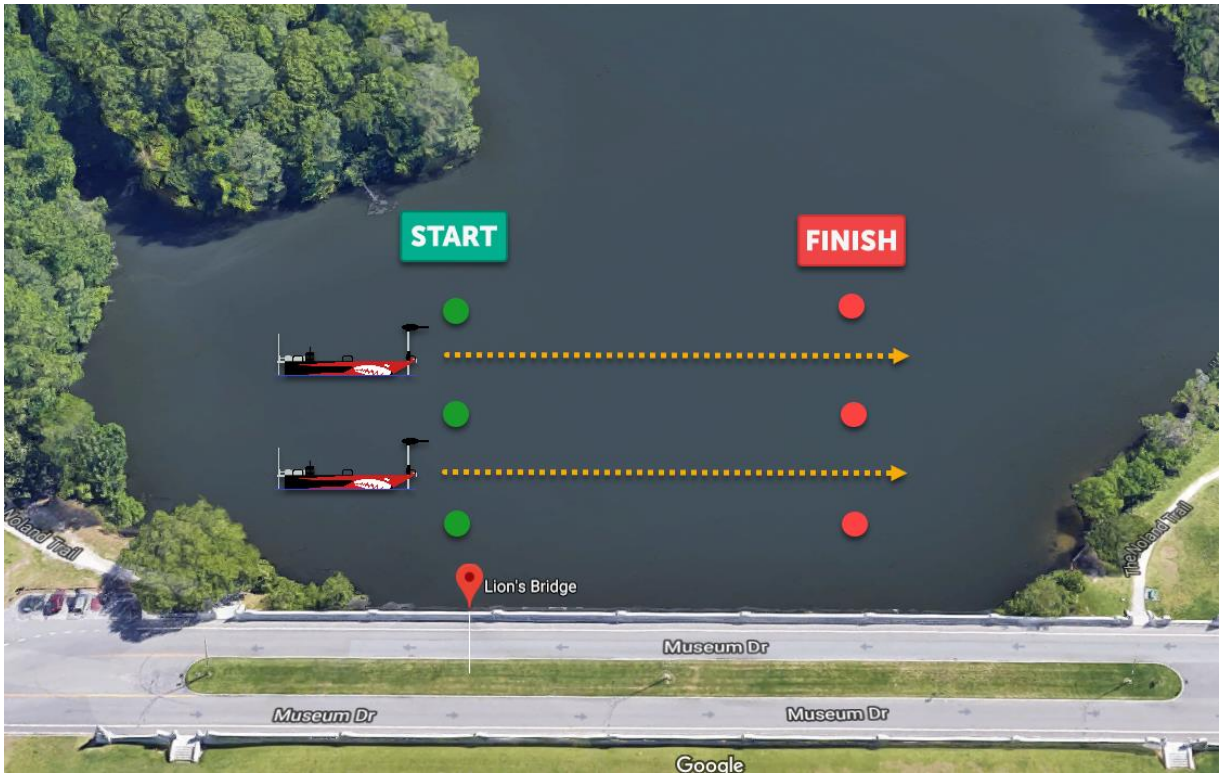


We're gonna need a bigger boat! A large great white shark has been spotted terrorizing the waterways of Hampton Roads. The community is in need of boat designs to entice, track, and hunt down this rogue shark to finish it off for good (at least until the obligatory sequels).

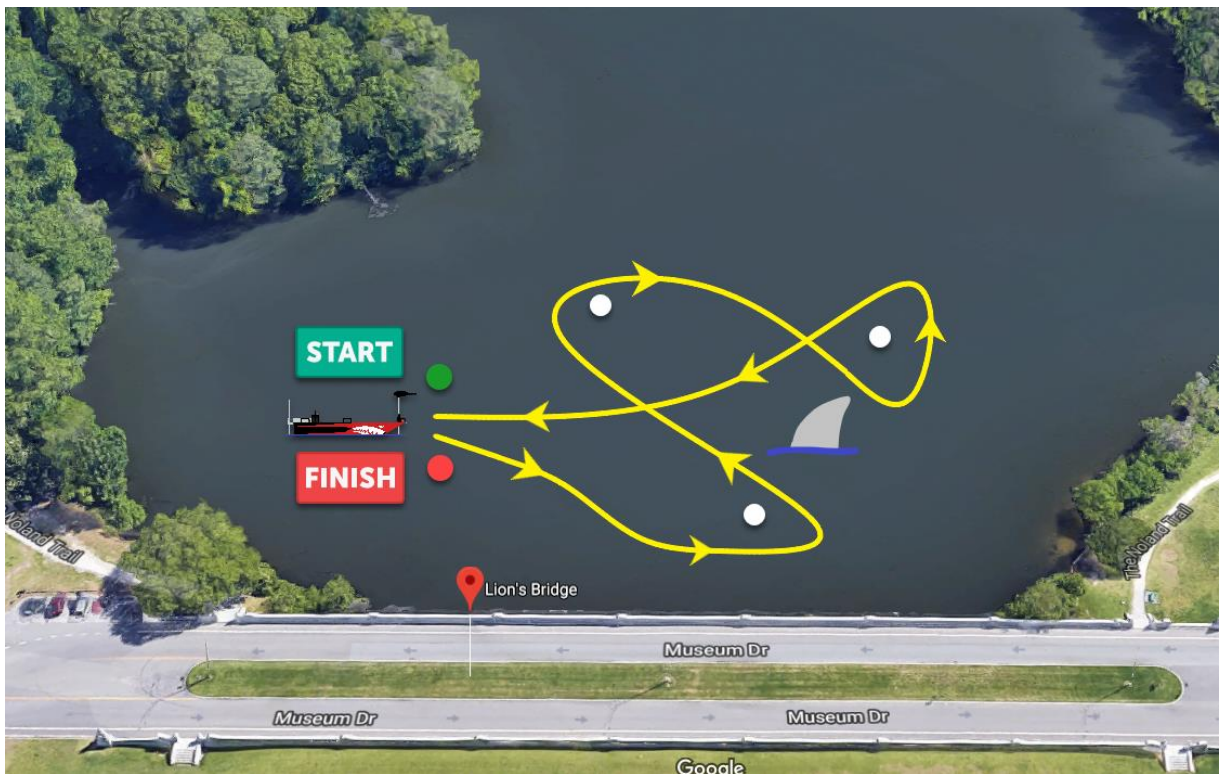
Each boat, designed as a makeshift fishing boat, will be required to carry containers representing tracking barrels, chum buckets, and explosive canisters.

- Empty two-liter (2L) bottles will resemble tracking barrels.
- One-gallon jugs will resemble chum buckets.
- ½-gallon jugs will resemble explosive canisters.

RACE COURSES



High Speed Race Course



Scenario Race Course

2024 CHAMPS

(2025 competition was not raced)



The Mighty Pirates

Alexandria City High School

Sponsor: John Hammons

Team Members: Ben Belmont, Owen Burden, Aidan Muldoon, Henry Mead, Shakai Riggins, John Wells

SCHEDULE OF EVENTS

10:00 AM Event Opens

Boat Christening

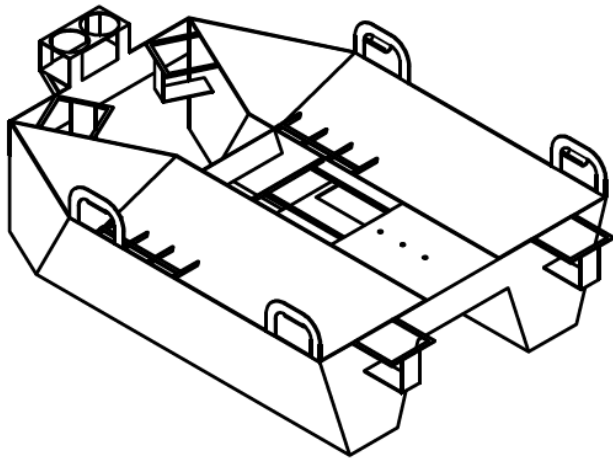
High Speed Race

Scenario Race

Awards

1:00 PM End of Event





BO-AT

West Springfield High School

Sponsor: Joshua Masley

Team Members: Matthew Hood, Lorenzo Feline, Grant McClure

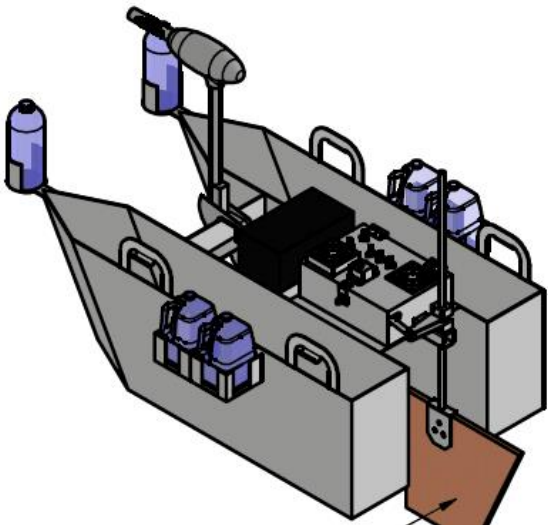
2026 FINALISTS

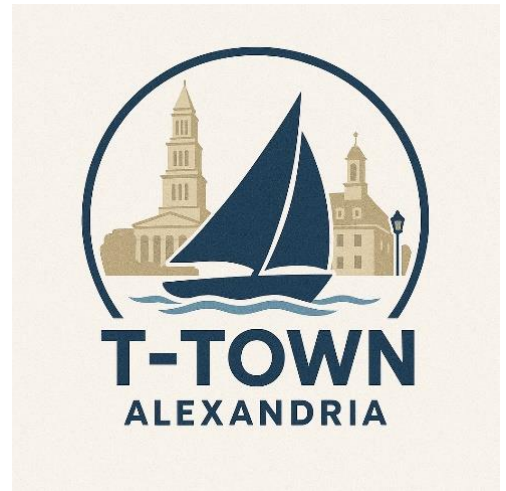
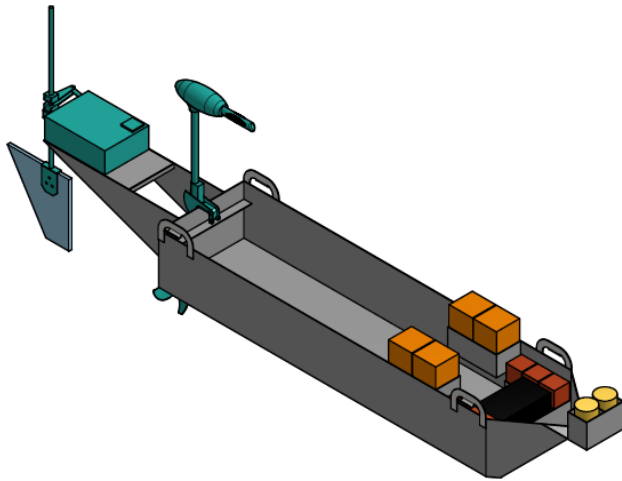
The Anemone of My Enemy is My Friend

West Springfield High School

Sponsor: Joshua Masley

Team Members: Matthew Pedrotty, Max Le





T-Town

Alexandria City High School

Sponsor: John Hammons

Team Members: Owen Burden, Naematullah Rahmatullah, Thomas Burks,
Thomas Do, William Yurasko

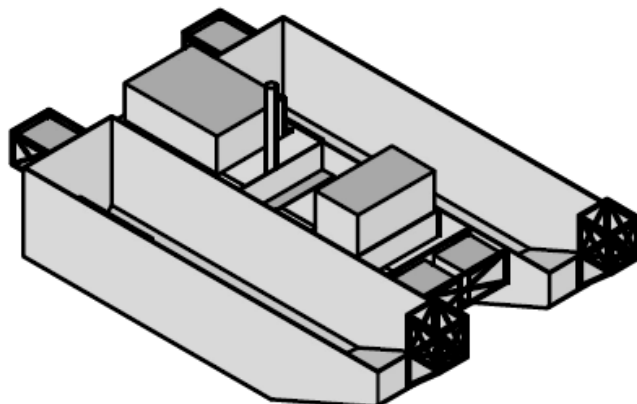
2026 FINALISTS

The Bad Bruce

West Springfield High School

Sponsor: Joshua Masley

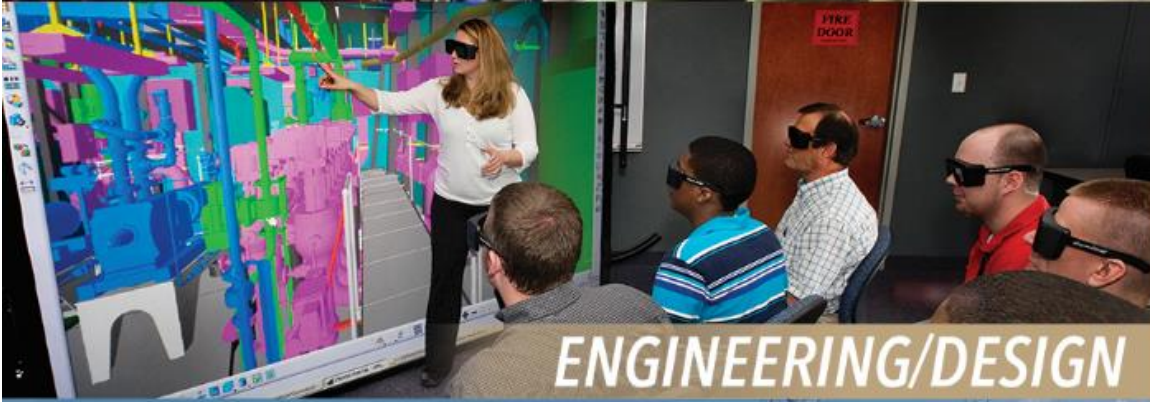
Team Members: Tomas Blanco Martin, James Fernandes



LEARN



TECHNICAL SKILLS



ENGINEERING/DESIGN



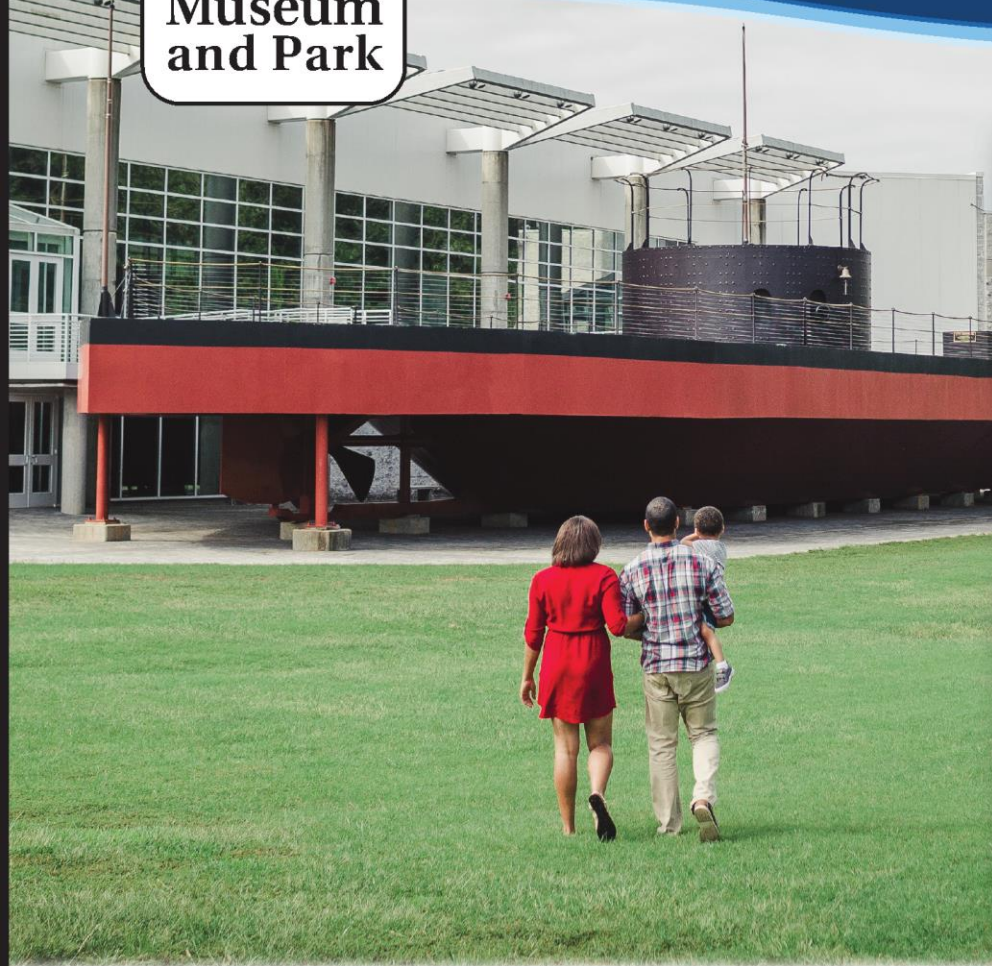
MANUFACTURING

BUSINESS/LEADERSHIP



The Apprentice School
www.as.edu
Equal Opportunity Employer
U.S. Citizenship Required





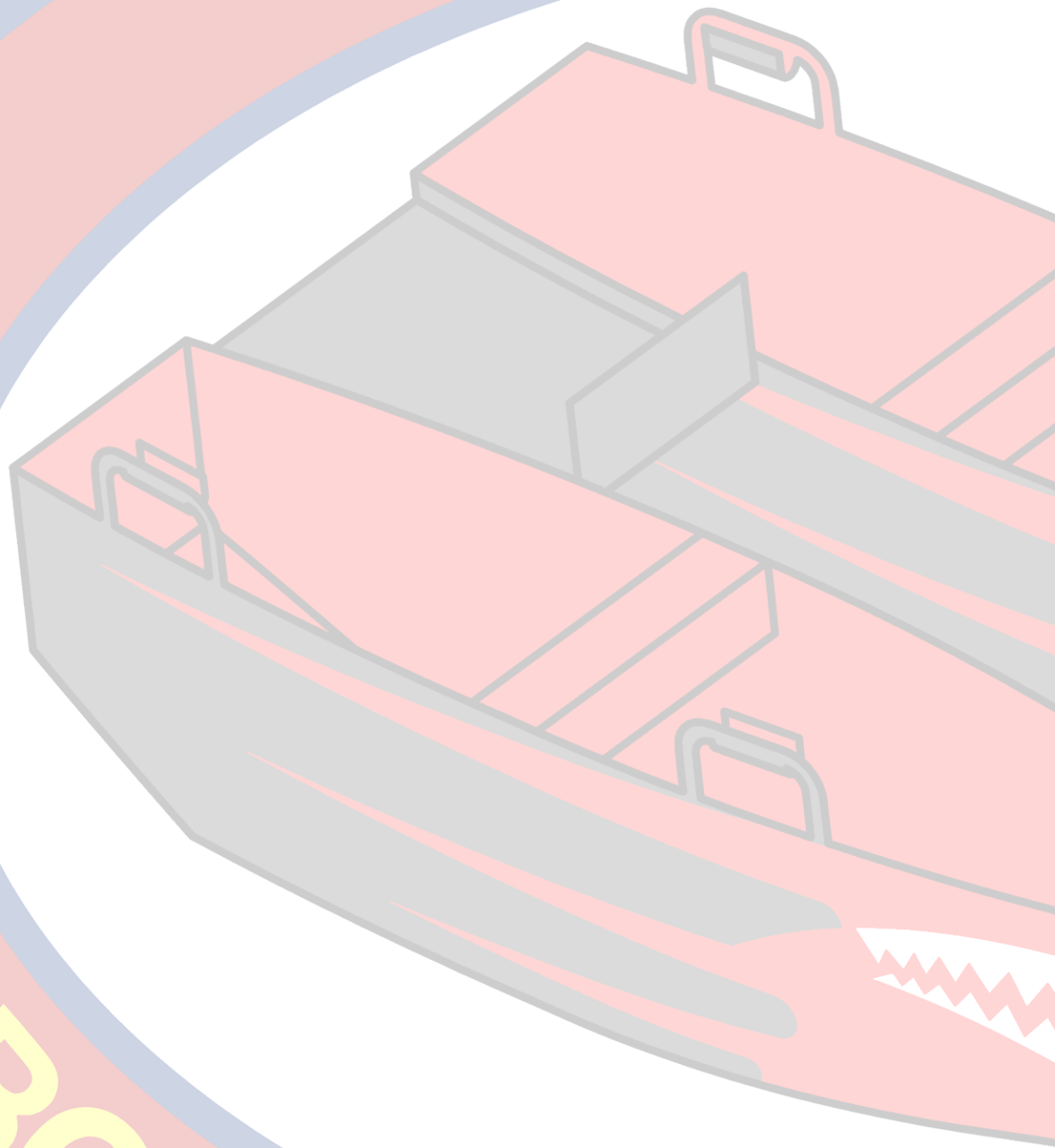
Visit America's National Maritime Museum with your family for only \$1 per person!

- Explore small craft from around the world
- Discover the USS *Monitor* Center, home of the Civil War ironclad's iconic gun turret
- View maritime art and handcrafted ship models
- Experience a 3D film in the Explorers Theater (additional fee)
- Hike the award-winning Noland Trail located within our 550-acre park





SNAME



BOAT DESIGN



<https://communities.sname.org/designcompetition>