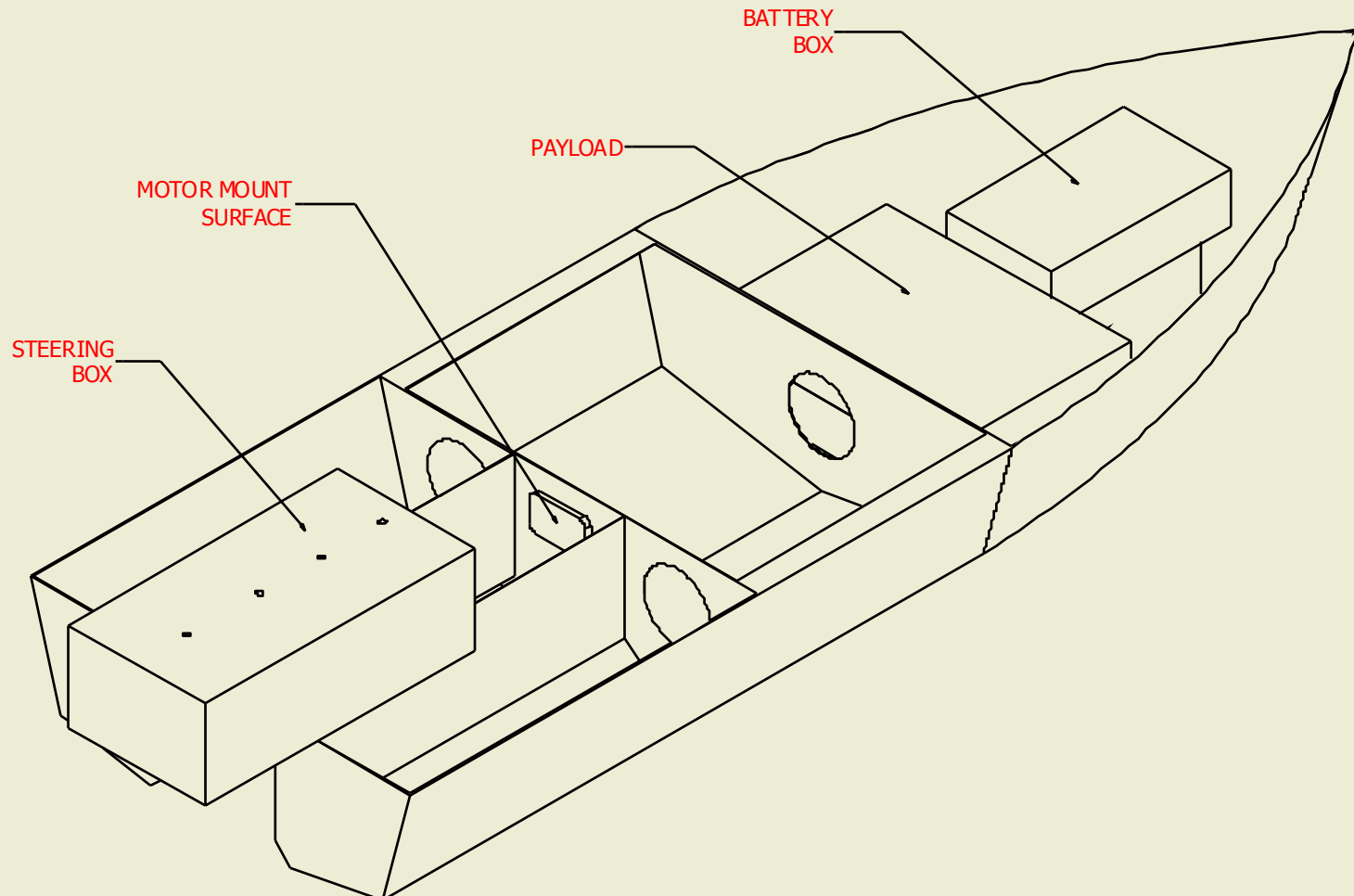
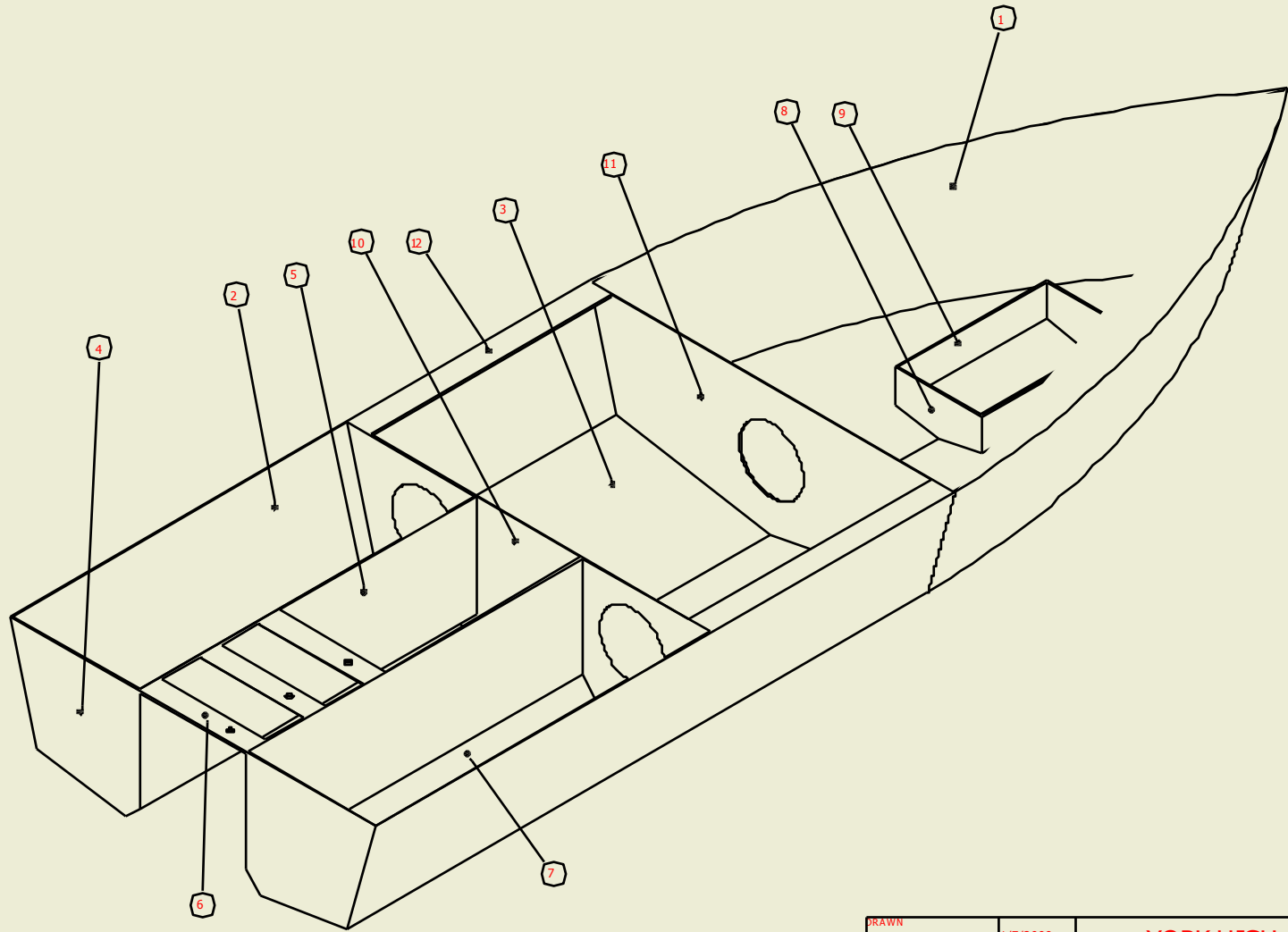


DRAWN	1/7/2009	YORK HIGH SCHOOL	
CHECKED		TITLE	
QA		MULTIVIEW DRAWINGS	
FIG		SIZE	REV
APPROVED		C	
		SCALE	DWG NO
			Final Drawings
			SHEET 2 OF 9

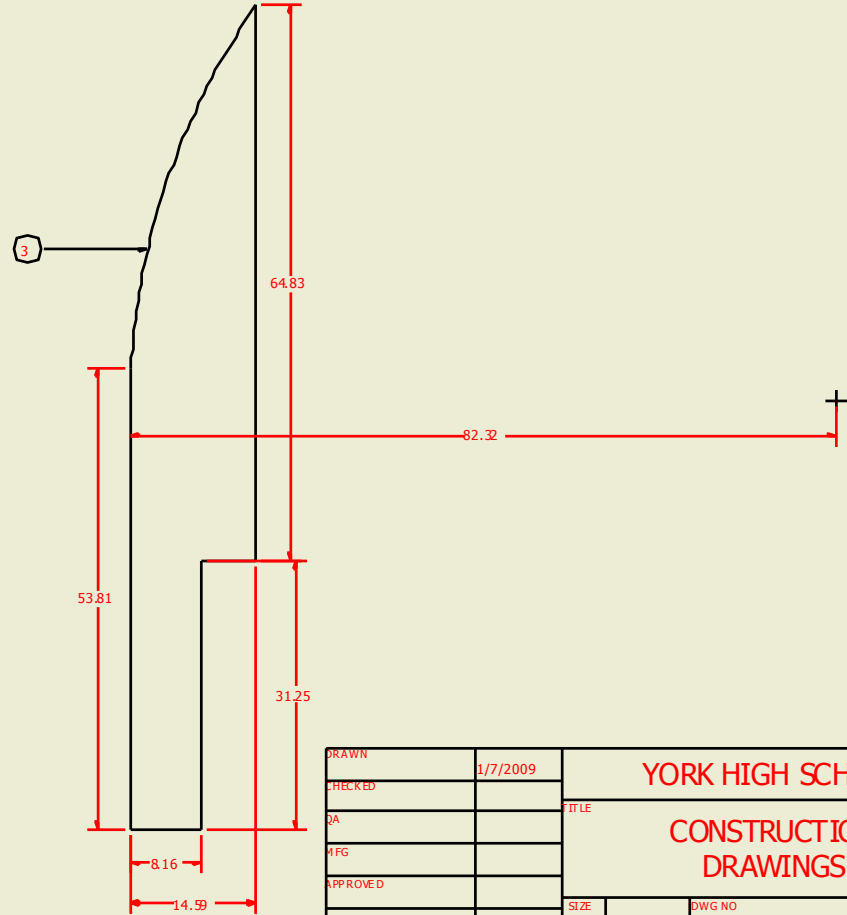
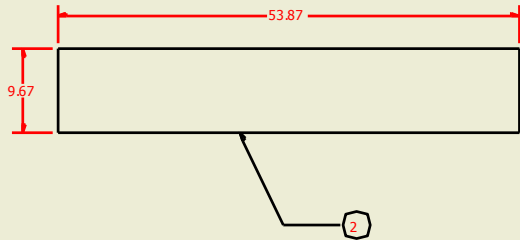
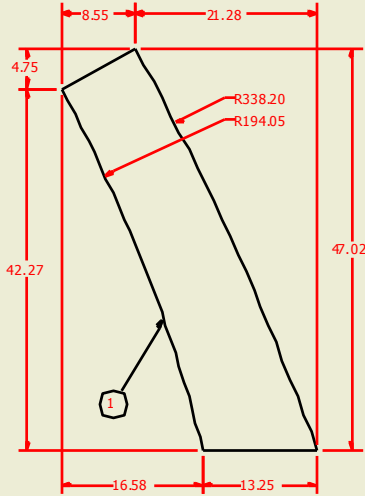


DRAWN	1/7/2009	YORK HIGH SCHOOL	
CHECKED		TITLE	
QA		LOADING DIAGRAM	
MFG			
APPROVED		SIZE	DWG NO
		C	Final Drawings
		SCALE	REV
			SHEET 1 OF 9



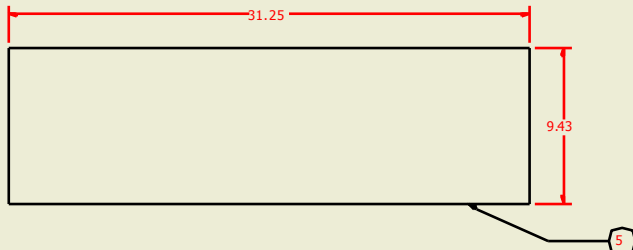
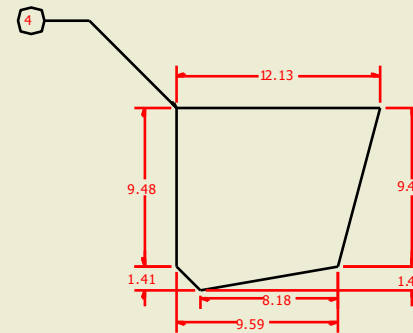
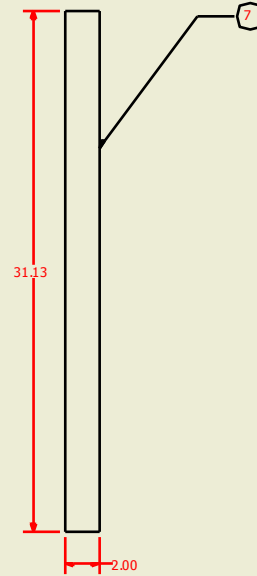
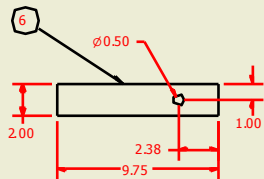
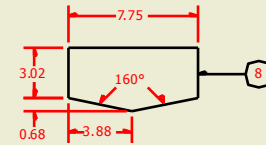
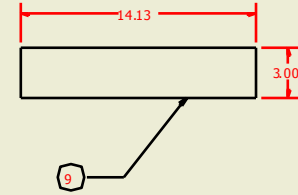
DRAWN	1/7/2009	YORK HIGH SCHOOL	
CHECKED		TITLE	
QA		CONSTRUCTION DRAWINGS	
MFG		REV	
APPROVED		SIZE	DWG NO
		C	Final Drawings
		SCALE	SHEET 3 OF 9

Column 1	Column 2	Column 3
1	BOW PLATE	2 REQUIRED
2	GUNWALE	2 REQUIRED
3	HULL BOTTOM	2 REQUIRED



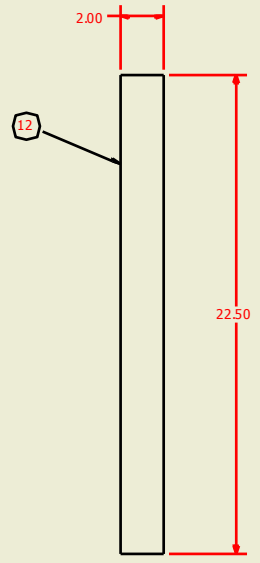
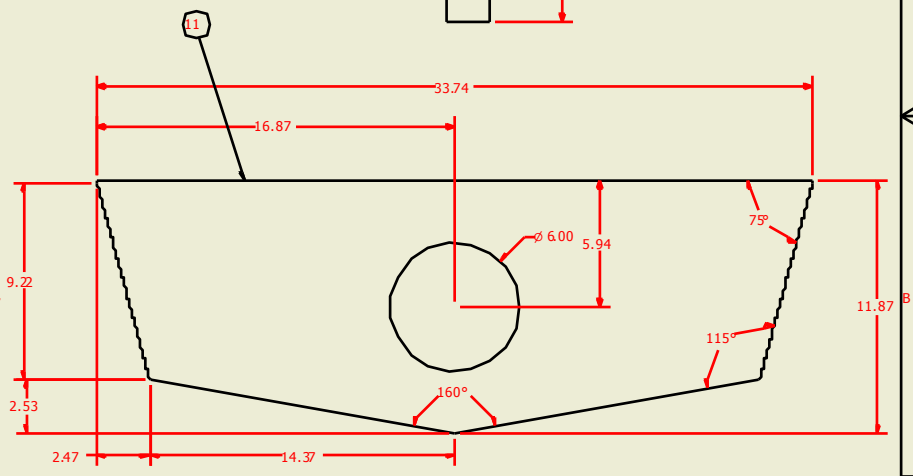
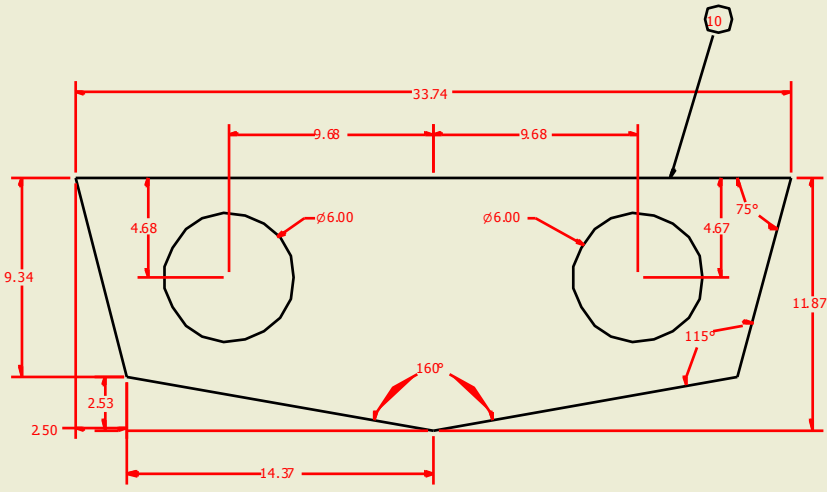
DRAWN	1/7/2009	YORK HIGH SCHOOL		
CHECKED		CONSTRUCTION DRAWINGS		
QA		SIZE	DWG NO	REV
IFG		C	Final Drawings	
APPROVED		SCALE	SHEET 4 OF 9	

Column 1	Column 2	Column 3
4	TRANSOM	2 REQUIRED
5	MOTOR BOX SIDE	2 REQUIRED
6	REAR BRACE	3 REQUIRED
7	MOTOR BOX CHINE	2 REQUIRED
8	BATTERY END	2 REQUIRED
9	BATTERY SIDE	2 REQUIRED

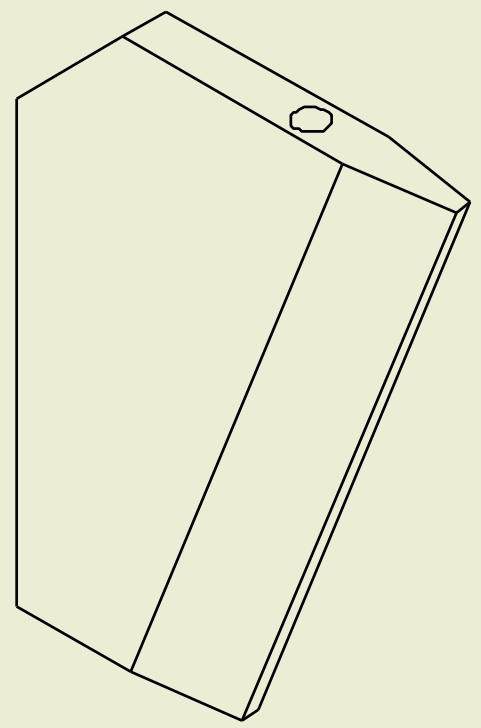
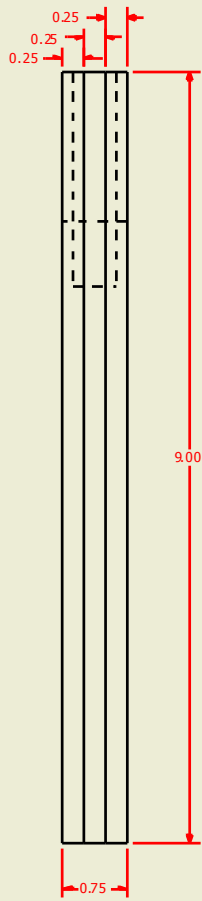
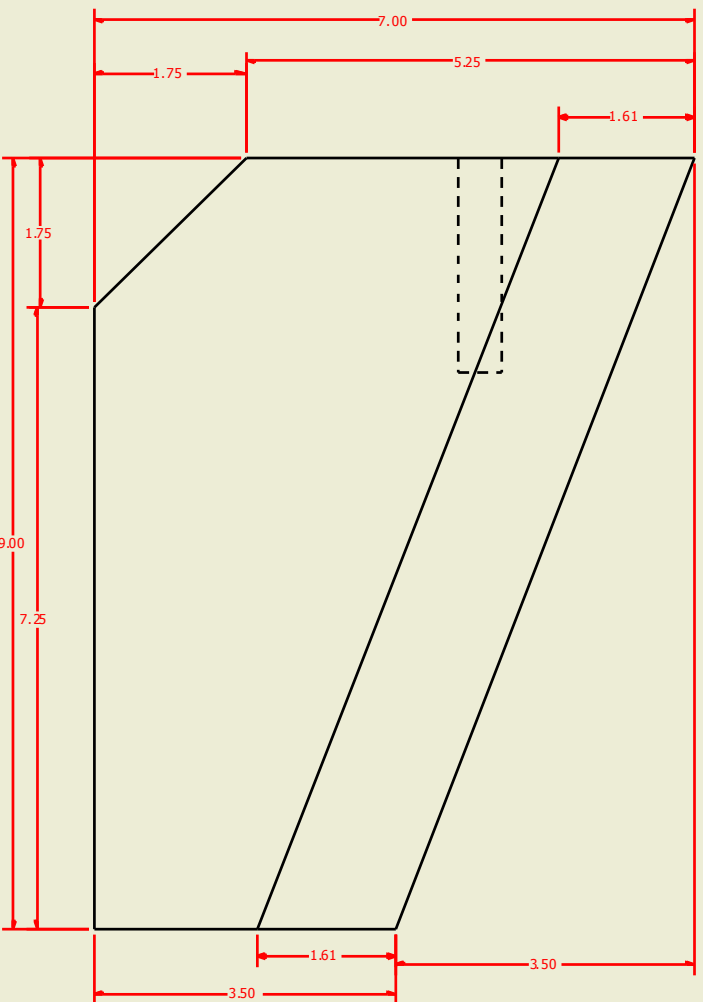
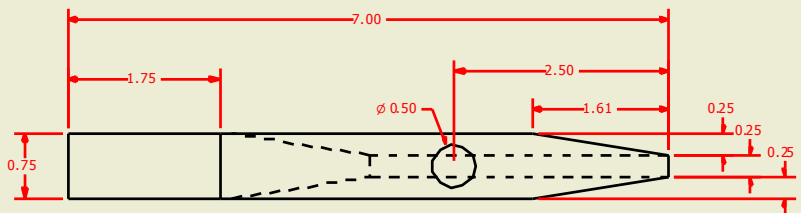


DRAWN	1/7/2009	YORK HIGH SCHOOL	
CHECKED		TITLE	
QA		CONSTRUCTION DRAWINGS	
MFG		SIZE	DWG NO
APPROVED		C	Final Drawings
		SCALE	REV
			PIEET 5 OF 9

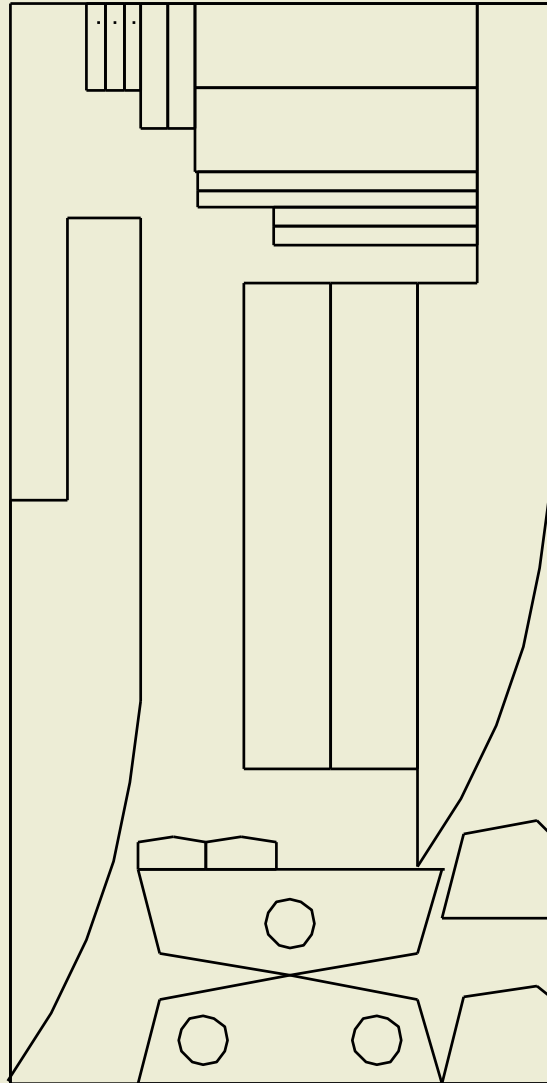
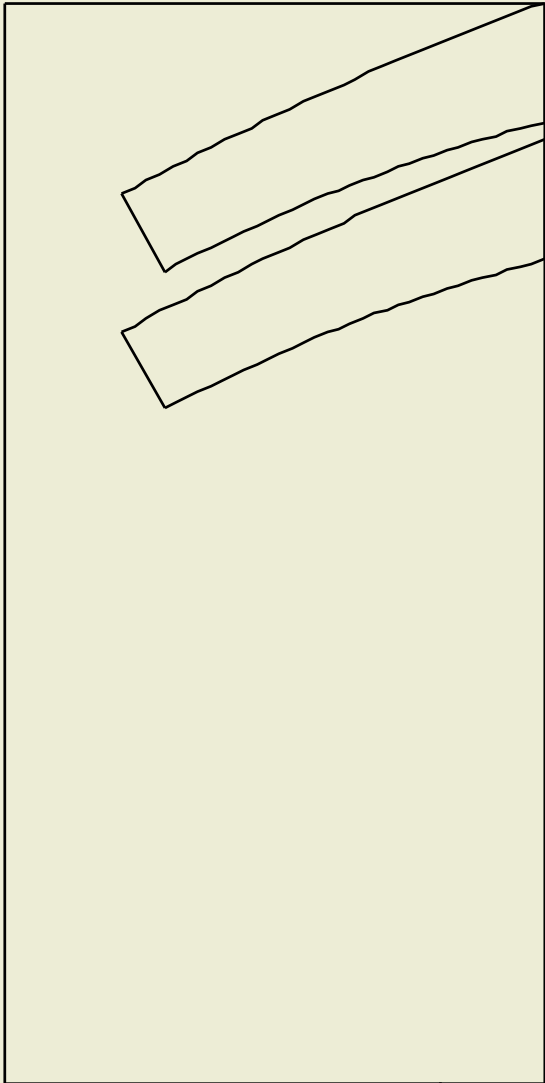
Column 1	Column 2	Column 3
1	MIDSHIP BRACE	2 REQUIRED
2	AFT BULKHEAD	1 REQUIRED
3	FRONT BULKHEAD	1 REQUIRED



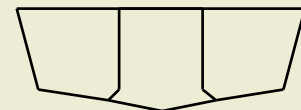
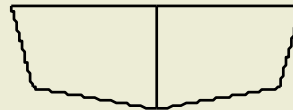
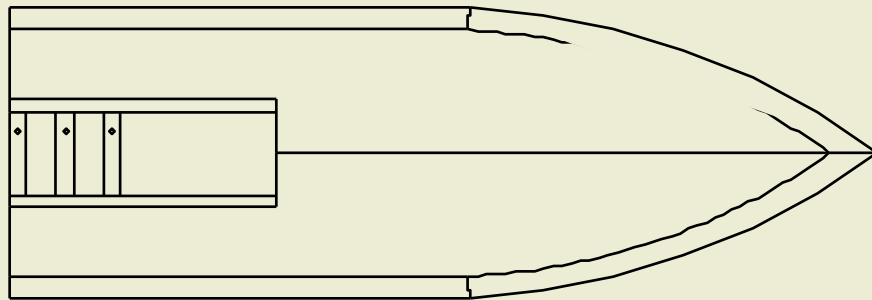
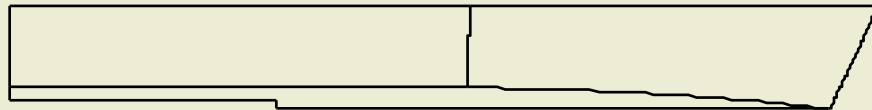
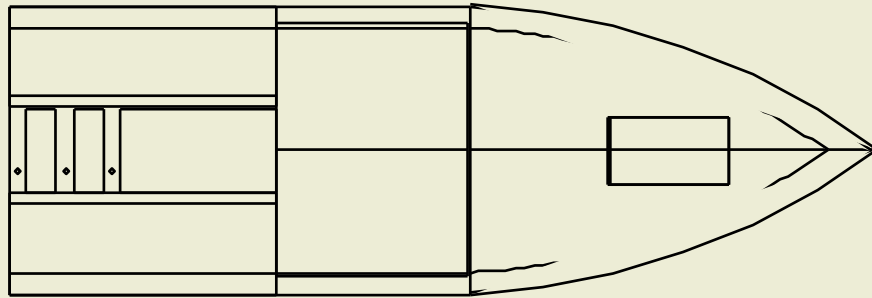
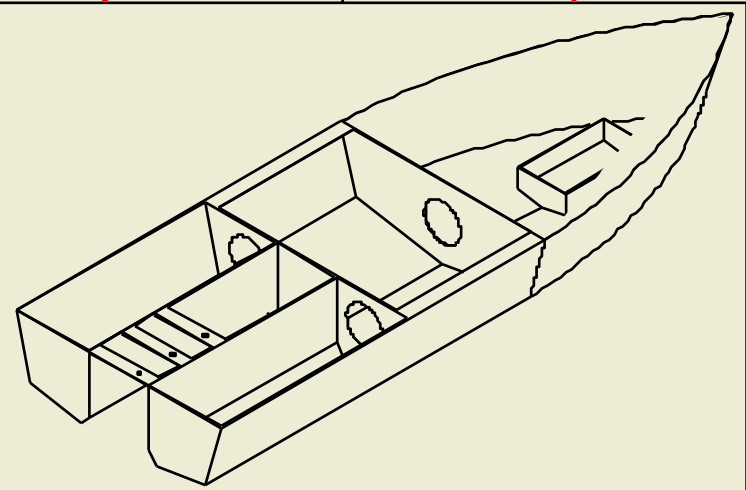
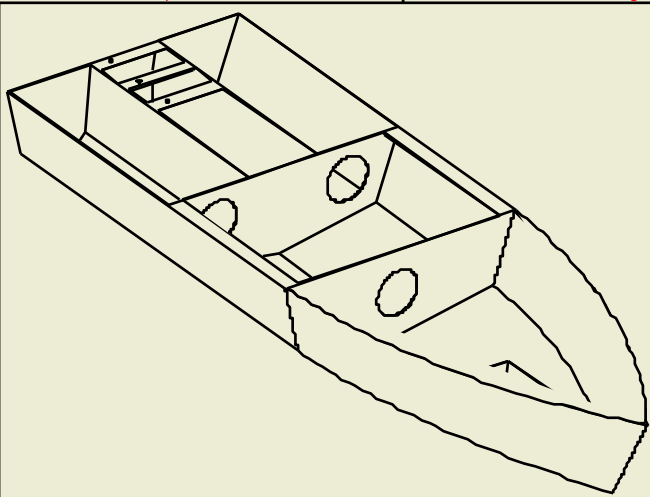
DRAWN	1/7/2009	YORK HIGH SCHOOL	
CHECKED		FILE	
QA		CONSTRUCTION DRAWINGS	
MFG		DRAWINGS	
APPROVED		SIZE	DWG NO
		C	Final Drawings
		SCALE	REV



DRAWN	1/7/2009	YORK HIGH SCHOOL	
CHECKED		TITLE	
QA		RUDDER	
FIG		SIZE	DWG NO
APPROVED		C	Final Drawings
		SCALE	REV
			SHEET 7 OF 9



DRAWN	1/7/2009	YORK HIGH SCHOOL	
CHECKED		TITLE	
QA		NESTING PLAN	
MFG		SIZE	REV
APPROVED		C	Final Drawings
		SCALE	SHEET 8 OF 9



DRAWN	1/7/2009	YORK HIGH SCHOOL	
CHECKED		TITLE	
QA		PAINT SCHEME	
MFG		SIZE	DWG NO
APPROVED		C	Final Drawings
		SCALE	REV
			SHEET 9 OF 9